



**THIRD SPACE
LEARNING**

Year 6 Maths Test

40 mark test covering
Year 5 and Year 6 content

Year 6

Questions

Name:

Class:

Date:

Score:

This maths test consists of 25 questions: 8 arithmetic and 17 reasoning questions. You can use any space left below or around a question for your working out, if you need it.

1 $86,497 + 7,647$

Answer:

1 mark

2 $42.314 - 8.765$

Answer:

1 mark

Year 6 Maths Test | Questions

3 $7,936 \times 76$

Answer:

2 marks

4 $6,834 \div 58$

Answer:

2 marks

5 35% of 7,480

Answer:

1 mark

6 $\frac{2}{5} \times \frac{3}{4}$

Answer:

1 mark

Year 6 Maths Test | Questions

7 $17.36 \times 1,000$

Answer:

1 mark

8 $\frac{3}{7}$ of 84

Answer:

1 mark

Year 6 Maths Test | Questions

9 Round 76,385 to the nearest:

10

100

1,000

10,000

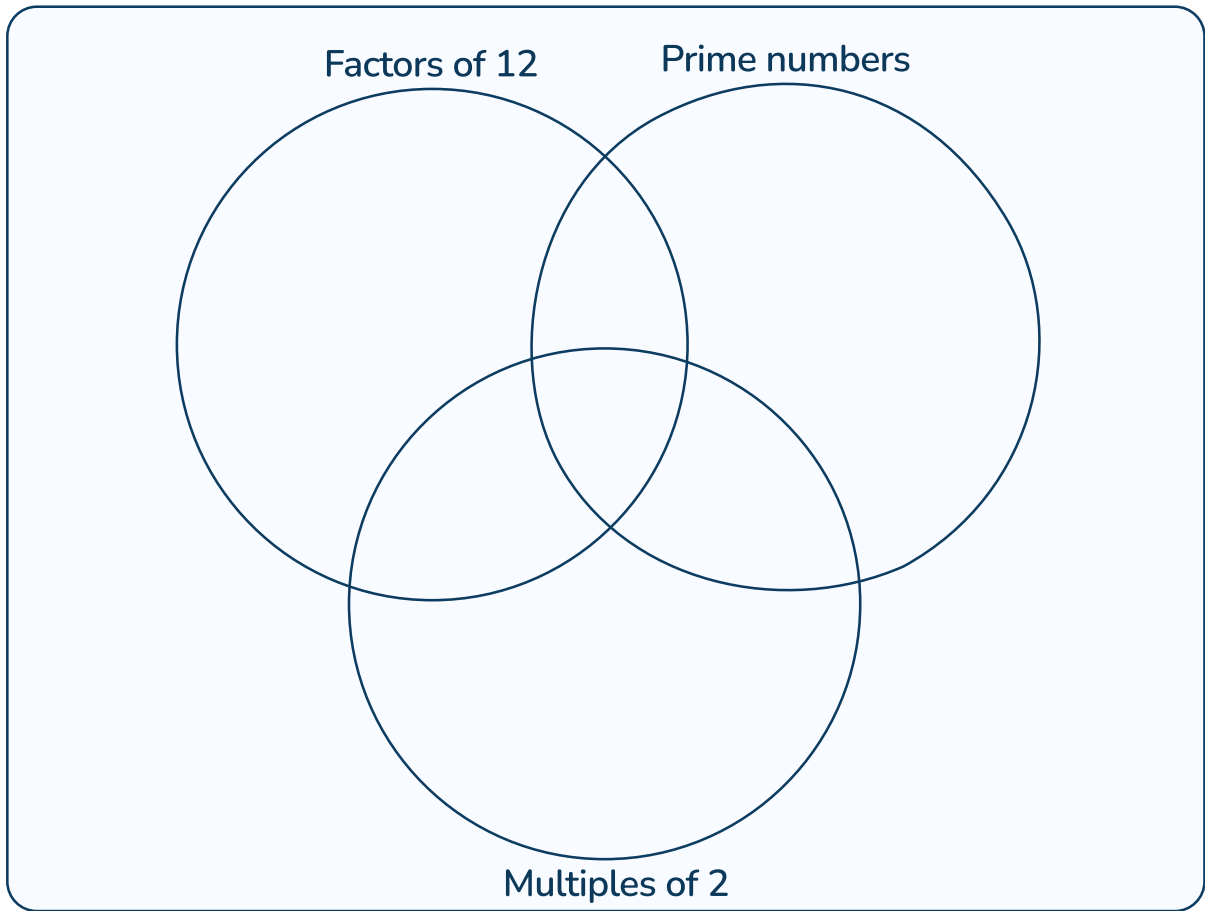
2 marks

10 Write the following capacities in order from smallest to largest:
2.673l, 2.635l, 2.605l, 2.61l

Answer:l ,l ,l ,l

1 mark

- 11 Sort the following numbers into the correct place in the Venn Diagram.
2, 3, 4, 6, 7



2 marks

-
- 12 Sophia buys 6 cupcakes and a cookie and pays £2.05 altogether.
Ahmed buys 3 cupcakes and pays 90p altogether.
How much does one cookie cost?

Answer:

2 marks

13 Order the following fractions from smallest to largest:

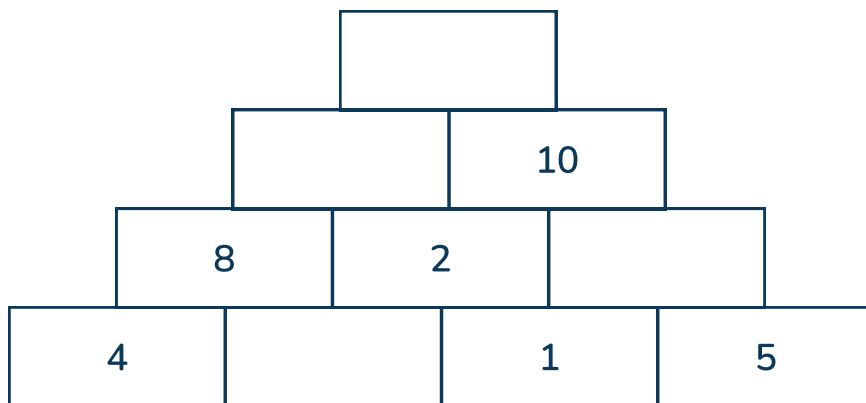
$$2\frac{7}{12} \quad 2\frac{3}{4} \quad 2\frac{5}{6} \quad 2\frac{2}{3}$$

Answer:,,,

1 mark

14 Each number in the multiplication wall is made by multiplying the numbers in the 2 boxes directly below.

Fill in the missing boxes



2 marks

- 15 Arlo chose a number. He multiplied the number by 8. Then he subtracted 47. His answer was 1,049.
What was his original number?

Answer:

2 marks

- 16 Tom had £40 in his pocket, but lost some.
Which expression shows how much Tom has now?

$40 + x$

$x \times 40$

$40 \div x$

$40 - x$

Answer:

1 mark

- 17 Write the following improper fractions as mixed numbers. Write the answer in its simplest form:

$\frac{34}{12}$

$\frac{17}{8}$

$\frac{35}{11}$

$\frac{19}{7}$

2 marks

- 18 a Jamal flew 3,243.7 miles from London to Doha. He then flew an additional 431.6 miles to Dubai. How far did he fly in total?

Answer: miles

1 mark

- b He then flew on to Sri Lanka, making his journey a total of 5,737 miles. How far was the journey from Dubai to Sri Lanka?

Answer: miles

1 mark

Year 6 Maths Test | Questions

- 19 Amber had a bag containing 360 jelly beans. She gave $\frac{4}{9}$ of the jelly beans to her friend, Erin . How many did she have left?

Answer:

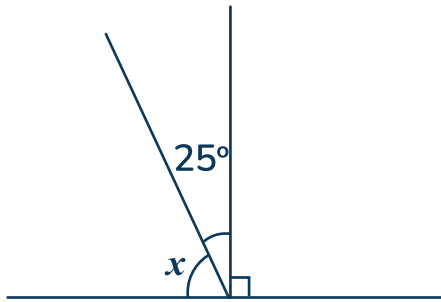
2 marks

- 20 A class of 28 pupils go on a school trip to Alton Towers. The total price for their tickets is £504. How much does it cost per child?

Answer: £.....

2 marks

21 What is the value of angle x ?



Answer:°

1 mark

22 Write one symbol in each box, to make the following statements correct:

$$\frac{2}{5} \quad \square \quad 0.5$$

$$0.74 \quad \square \quad \frac{14}{25}$$

1 mark

- 23 The town of Stockport has 90 primary schools and the City of Portsmouth has 45 primary schools. Schools in the UK have an average of 281 pupils. How many pupils are there in Stockport and Portsmouth altogether, using the average number of pupils?

Answer:

3 marks

- 24 Chloe has a bag of vegetables that weighs 1.15kg. She takes out some peppers. The bag now weighs 870g. How much did the peppers weigh?

Answer:

2 marks

Year 6 Maths Test | Questions

- 25 Apples cost £1.20 per kg.
Bananas cost £1.45 per kg
Abdullah buys $1\frac{1}{2}$ kg of apples and 2kg of bananas.
How much change does he get from £10?

Answer:

2 marks

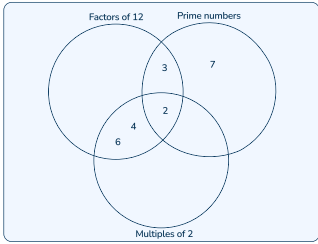
Answers

Question Number	Question	Answer	Number of Marks	Topic																																																																							
1	$86,497 + 7,647$	94,144	1	Addition																																																																							
2	$42.314 - 8.765$	33.549	1	Subtraction Decimals																																																																							
3	$7,936 \times 76$	603,136 2 marks for the correct answer, 1 mark for the correct method, but an incorrect answer	2	Multiplication																																																																							
		<table border="1" style="margin-left: auto; margin-right: auto;"> <tbody> <tr><td></td><td></td><td>7</td><td>9</td><td>3</td><td>6</td></tr> <tr><td>x</td><td></td><td></td><td></td><td>7</td><td>6</td></tr> <tr><td></td><td>4</td><td>7</td><td>6</td><td>1</td><td>6</td></tr> <tr><td></td><td></td><td>5</td><td>2</td><td>3</td><td></td></tr> <tr><td>5</td><td>5</td><td>5</td><td>5</td><td>2</td><td>0</td></tr> <tr><td></td><td>6</td><td>2</td><td>4</td><td></td><td></td></tr> <tr><td>6</td><td>0</td><td>3</td><td>1</td><td>3</td><td>6</td></tr> <tr><td></td><td></td><td></td><td></td><td></td><td></td></tr> <tr><td>1</td><td>1</td><td>1</td><td></td><td></td><td></td></tr> </tbody> </table>			7	9	3	6	x				7	6		4	7	6	1	6			5	2	3		5	5	5	5	2	0		6	2	4			6	0	3	1	3	6							1	1	1																						
		7	9	3	6																																																																						
x				7	6																																																																						
	4	7	6	1	6																																																																						
		5	2	3																																																																							
5	5	5	5	2	0																																																																						
	6	2	4																																																																								
6	0	3	1	3	6																																																																						
1	1	1																																																																									
4	$6,834 \div 58$	117 r48 2 marks for the correct answer, 1 mark for the correct method, but an incorrect answer	2	Division																																																																							
		<table border="1" style="margin-left: auto; margin-right: auto;"> <tbody> <tr><td></td><td></td><td></td><td>1</td><td>1</td><td>7</td><td>r</td><td>4</td><td>8</td></tr> <tr><td>5</td><td>8</td><td>6</td><td>8</td><td>3</td><td>4</td><td></td><td></td><td></td></tr> <tr><td></td><td>-</td><td>5</td><td>8</td><td></td><td></td><td></td><td></td><td></td></tr> <tr><td></td><td></td><td>0</td><td>2</td><td>5</td><td>3</td><td></td><td></td><td></td></tr> <tr><td></td><td></td><td>-</td><td>5</td><td>8</td><td></td><td></td><td></td><td></td></tr> <tr><td></td><td></td><td></td><td>4</td><td>4</td><td>4</td><td></td><td></td><td></td></tr> <tr><td></td><td></td><td>-</td><td>4</td><td>0</td><td>6</td><td></td><td></td><td></td></tr> <tr><td></td><td></td><td></td><td></td><td>4</td><td>8</td><td></td><td></td><td></td></tr> </tbody> </table>				1	1	7	r	4	8	5	8	6	8	3	4					-	5	8								0	2	5	3						-	5	8								4	4	4						-	4	0	6								4	8				
			1	1	7	r	4	8																																																																			
5	8	6	8	3	4																																																																						
	-	5	8																																																																								
		0	2	5	3																																																																						
		-	5	8																																																																							
			4	4	4																																																																						
		-	4	0	6																																																																						
				4	8																																																																						

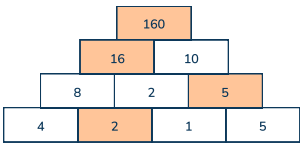
Year 6 Maths Test | Answers

Question Number	Question	Answer	Number of Marks	Topic
5	35% of 7,480	2,618	1	Percentages of amounts
6	$\frac{2}{5} \times \frac{3}{4}$	$\frac{6}{20} = \frac{3}{10}$	1	Calculating with fractions
7	$17.36 \times 1,000$	17,360	1	Multiplying decimals
8	$\frac{3}{7}$ of 84	36	1	Fractions of amounts
9	Round 76,385 to the nearest: 10 100 1,000 10,000	2 marks for all correct 1 mark for 2 or 3 correct Rounded to 10: 76,390 Rounded to 100: 76,400 Rounded to 1,000: 76,000 Rounded to 10,000: 80,000	2	Place value - rounding
10	Write the following capacities in order from smallest to largest: 2.673l, 2.635l, 2.605l, 2.61l	2.605l, 2.61l, 2.635l, 2.673l	1	Ordering decimals Measures

Year 6 Maths Test | Answers

Question Number	Question	Answer	Number of Marks	Topic
11	Sort the following numbers into the correct place in the Venn Diagram: 2, 3, 4, 6, 7	<p>2 marks for all correct, 1 mark for 3 or 4 correct</p> <p>Factors of 12 and prime numbers: 3 Prime numbers only: 7 Factors of 12 and multiples of 2: 6 and 4 All 3: 2</p> 	2	Multiples, factors and prime numbers
12	Sophia buys 6 cupcakes and a cookie and pays £2.05 altogether. Ahmed buys 3 cupcakes and pays 90p altogether. How much does one cookie cost?	<p>2 marks for correct answer of 25p or £0.25 1 mark for the correct method, but incorrect answer.</p> <p>3 cupcakes cost 90p 6 cupcakes cost 90p $\times 2 = £1.80$ $£2.05 - £1.80 =$ $£0.25$ or 25p</p> <p>Or $£2.05 - £0.90 =$ $£1.15$ $£1.15 - £0.90 =$ $£0.25$ or 25p</p>	2	Money Solving problems using mixed operations

Year 6 Maths Test | Answers

Question Number	Question	Answer	Number of Marks	Topic
13	Order the following fractions from smallest to largest: $2\frac{7}{12}$, $2\frac{3}{4}$, $2\frac{5}{6}$, $2\frac{2}{3}$	$2\frac{7}{12}$, $2\frac{2}{3}$, $2\frac{3}{4}$, $2\frac{5}{6}$	1	Comparing and ordering fractions
14	Each number in the multiplication wall is made by multiplying the numbers in the 2 boxes directly below. Fill in the missing boxes	2 marks if all boxes completed correctly. 1 mark 2 or 3 box Top row: 160 Second row: 16 Third row: 5 Bottom row: 2 	2	Times tables
15	Arlo chose a number. He multiplied the number by 8. Then he subtracted 47. His answer was 1,049. What was his original number?	2 marks for correct answer of 137. 1 mark for correct method, but incorrect answer: $1,049 + 47 = 1,096$ $1,096 \div 8 = 137$	2	Solving problems with mixed operations

Year 6 Maths Test | Answers

Question Number	Question	Answer	Number of Marks	Topic
16	<p>Tom had £40 in his pocket, but lost some. Which expression shows how much Tom has now?</p> <p> $40 + x$ $x \times 40$ $40 \div x$ $40 - x$ </p>	$40 - x$	1	Algebra
17	<p>Write the following improper fractions as mixed numbers. Write the answer in its simplest form: $\frac{34}{12}$</p> <p> $\frac{17}{8}$ $\frac{35}{11}$ $\frac{19}{7}$ </p>	<p>2 marks for all correct 1 mark for 2 or 3 correct</p> <p> $\frac{34}{12} = 2 \frac{10}{12} = 2 \frac{5}{6}$ $\frac{17}{8} = 2 \frac{1}{8}$ $\frac{35}{11} = 3 \frac{2}{11}$ $\frac{19}{7} = 2 \frac{5}{7}$ </p>	2	Improper numbers and mixed fractions
18	<p>a) How far did Jamal fly in total?</p> <p>b) He then flew on to Sri Lanka, making his journey a total of 5,737 miles. How far was the journey from Dubai to Sri Lanka?</p>	<p>2 marks for both correct, 1 mark for 1 correct.</p> <p> a) 3,675.3miles b) 2,061.7miles </p>	2	Decimal calculations

Year 6 Maths Test | Answers

Question Number	Question	Answer	Number of Marks	Topic																														
19	Amber had a bag containing 360 jelly beans. She gave $\frac{4}{9}$ of the jelly beans to her friend, Erin. How many did she have left?	2 marks for the correct answer: 200 jelly beans. 1 mark for the correct method, but incorrect answer: $\frac{1}{9}$ of 360 = 40 $\frac{4}{9}$ of 360 = 160 Therefore Amber has 200 jelly beans left. Or $\frac{5}{9}$ of 360 = 200 jelly beans	2	Fractions of amounts																														
20	A class of 28 pupils go on a school trip to Alton Towers. The total price for their tickets is £504. How much does it cost per child?	2 marks for the correct answer of £18. 1 mark for the correct method, but incorrect answer: <table border="1" data-bbox="584 1279 890 1637"> <tbody> <tr> <td></td> <td></td> <td></td> <td>1</td> <td>8</td> </tr> <tr> <td>2</td> <td>8</td> <td>4</td> <td>¹0</td> <td>4</td> </tr> <tr> <td></td> <td>-</td> <td>2</td> <td>8</td> <td></td> </tr> <tr> <td></td> <td></td> <td>2</td> <td>2</td> <td>4</td> </tr> <tr> <td></td> <td>-</td> <td>2</td> <td>2</td> <td>4</td> </tr> <tr> <td></td> <td></td> <td></td> <td></td> <td>0</td> </tr> </tbody> </table>				1	8	2	8	4	¹ 0	4		-	2	8				2	2	4		-	2	2	4					0	2	Division problems
			1	8																														
2	8	4	¹ 0	4																														
	-	2	8																															
		2	2	4																														
	-	2	2	4																														
				0																														
21	What is the value of angle x ?	65°	1	Angles																														

Year 6 Maths Test | Answers

Question Number	Question	Answer	Number of Marks	Topic																																																																																																										
22	Write one symbol in each box, to make the following statements correct: $\frac{2}{5} ? 0.5$ $0.74 ? \frac{14}{25}$	$\frac{2}{5} < 0.5$ $0.74 > \frac{14}{25}$	1	Fractions and decimals																																																																																																										
23	The town of Stockport has 90 primary schools and the City of Portsmouth has 45 primary schools. Schools in the UK have an average of 281 pupils. How many pupils are there in Stockport and Portsmouth altogether, using the average number of pupils?	3 marks for the correct answer of 37,935. 2 marks if evidence of the correct method, with only 1 arithmetic error. 1 mark if evidence of appropriate method, with more than 1 arithmetic error. Stockport: <table border="1" style="margin-left: 40px;"> <tr><td></td><td></td><td>2</td><td>8</td><td>1</td></tr> <tr><td>x</td><td></td><td></td><td>9</td><td>0</td></tr> <tr><td colspan="5"><hr/></td></tr> <tr><td></td><td></td><td>0</td><td>0</td><td>0</td></tr> <tr><td>2</td><td>$\frac{5}{7}$</td><td>2</td><td>9</td><td>0</td></tr> <tr><td colspan="5"><hr/></td></tr> <tr><td>2</td><td>5</td><td>2</td><td>9</td><td>0</td></tr> </table> Portsmouth: <table border="1" style="margin-left: 40px;"> <tr><td></td><td></td><td>2</td><td>8</td><td>1</td></tr> <tr><td>x</td><td></td><td></td><td>4</td><td>5</td></tr> <tr><td colspan="5"><hr/></td></tr> <tr><td></td><td>1</td><td>$\frac{4}{4}$</td><td>0</td><td>5</td></tr> <tr><td>1</td><td>$\frac{1}{6}$</td><td>2</td><td>4</td><td>0</td></tr> <tr><td colspan="5"><hr/></td></tr> <tr><td>1</td><td>2</td><td>6</td><td>4</td><td>5</td></tr> </table> Total: <table border="1" style="margin-left: 40px;"> <tr><td></td><td>2</td><td>5</td><td>2</td><td>9</td><td>0</td></tr> <tr><td>+</td><td>1</td><td>2</td><td>6</td><td>4</td><td>5</td></tr> <tr><td colspan="6"><hr/></td></tr> <tr><td></td><td>3</td><td>7</td><td>9</td><td>3</td><td>5</td></tr> <tr><td colspan="6"><hr/></td></tr> <tr><td></td><td></td><td></td><td>1</td><td></td><td></td></tr> </table>			2	8	1	x			9	0	<hr/>							0	0	0	2	$\frac{5}{7}$	2	9	0	<hr/>					2	5	2	9	0			2	8	1	x			4	5	<hr/>						1	$\frac{4}{4}$	0	5	1	$\frac{1}{6}$	2	4	0	<hr/>					1	2	6	4	5		2	5	2	9	0	+	1	2	6	4	5	<hr/>							3	7	9	3	5	<hr/>									1			3	Solving problems using mixed operations
		2	8	1																																																																																																										
x			9	0																																																																																																										
<hr/>																																																																																																														
		0	0	0																																																																																																										
2	$\frac{5}{7}$	2	9	0																																																																																																										
<hr/>																																																																																																														
2	5	2	9	0																																																																																																										
		2	8	1																																																																																																										
x			4	5																																																																																																										
<hr/>																																																																																																														
	1	$\frac{4}{4}$	0	5																																																																																																										
1	$\frac{1}{6}$	2	4	0																																																																																																										
<hr/>																																																																																																														
1	2	6	4	5																																																																																																										
	2	5	2	9	0																																																																																																									
+	1	2	6	4	5																																																																																																									
<hr/>																																																																																																														
	3	7	9	3	5																																																																																																									
<hr/>																																																																																																														
			1																																																																																																											

Year 6 Maths Test | Answers

Question Number	Question	Answer	Number of Marks	Topic															
24	Chloe has a bag of vegetables that weighs 1.15kg. She takes out some peppers. The bag now weighs 870g. How much did the peppers weigh?	<p>2 marks for the correct answer: 280g 1 mark for the correct method, but the incorrect answer.</p> <table border="1" style="margin-left: auto; margin-right: auto;"> <tbody> <tr> <td></td> <td>⁰</td> <td>¹⁰</td> <td>¹5</td> <td>0</td> </tr> <tr> <td>-</td> <td></td> <td>8</td> <td>7</td> <td>0</td> </tr> <tr> <td></td> <td></td> <td>2</td> <td>8</td> <td>0</td> </tr> </tbody> </table>		⁰	¹⁰	¹ 5	0	-		8	7	0			2	8	0	2	Subtraction Measures
	⁰	¹⁰	¹ 5	0															
-		8	7	0															
		2	8	0															
25	Apples cost £1.20 per kg. Bananas cost £1.45 per kg. Abdullah buys 1 ½ kg of apples and 2kg of bananas. How much change does he get from £10?	<p>2 marks for the correct answer: £5.30. 1 mark for the correct method but incorrect answer.</p>	2	Solving problems using mixed operations															